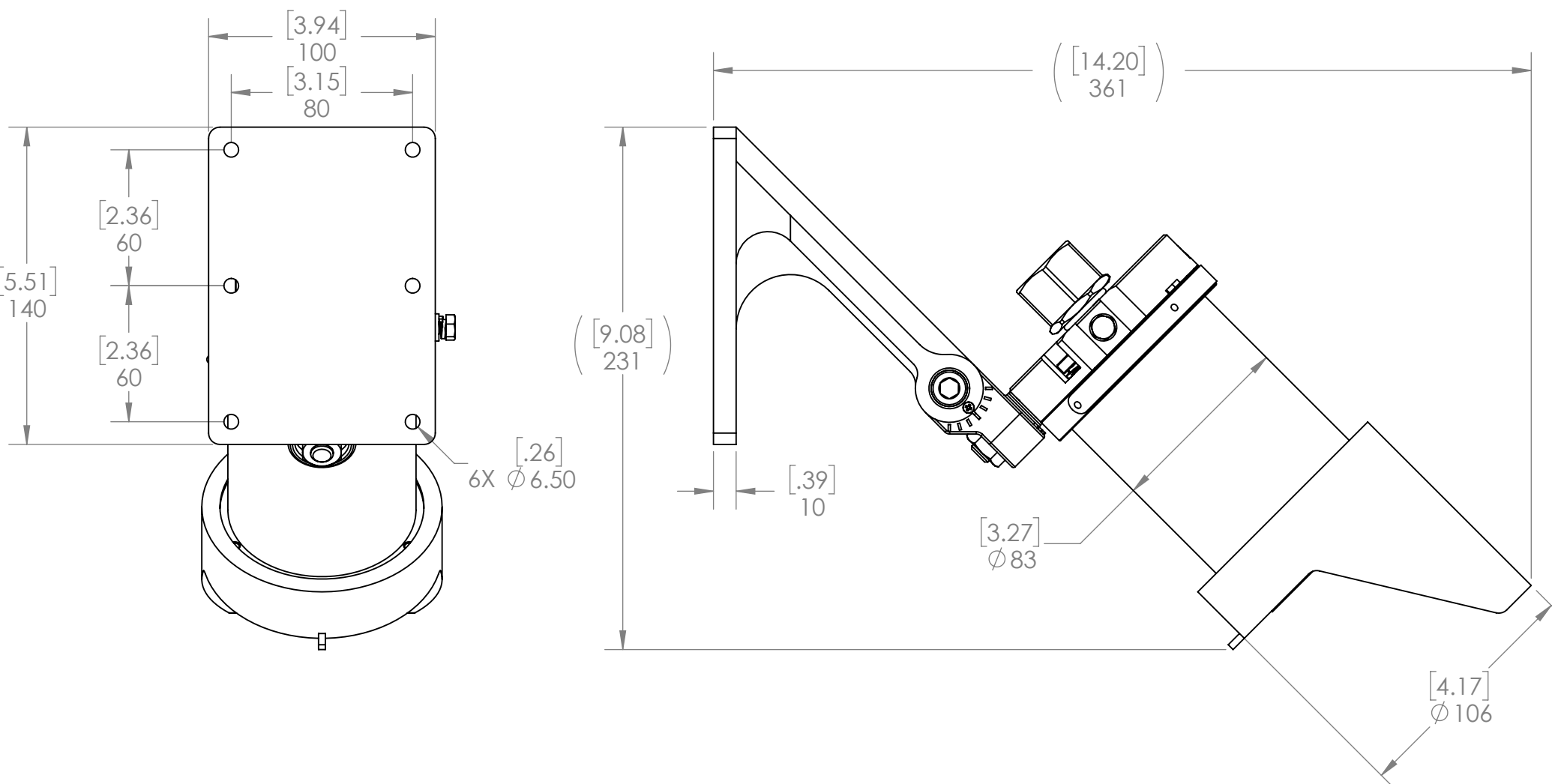


- NOTE:
1. DIMENSIONS ARE FOR REFERENCE ONLY
 2. DIMENSIONS ARE IN MILLIMETERS. DIMENSIONS IN [] ARE IN INCHES
 3. M6 SCREWS ARE USED FOR MOUNTING



TITLE: FLAME DETECTOR OVERALL DIMENSIONS
 AUTHOR: BW
 DRAWN DATE: 04/24/2019
 REVISION: 0